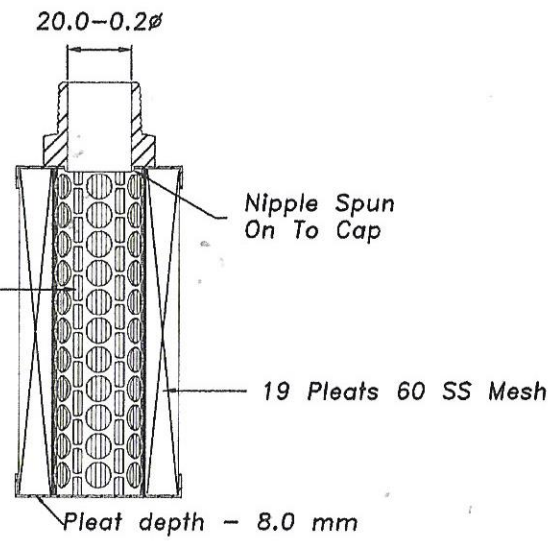
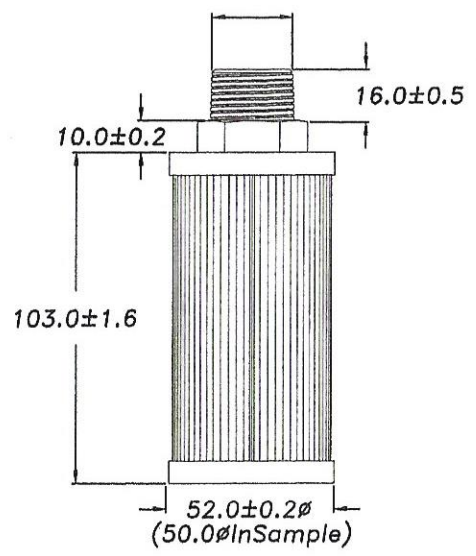
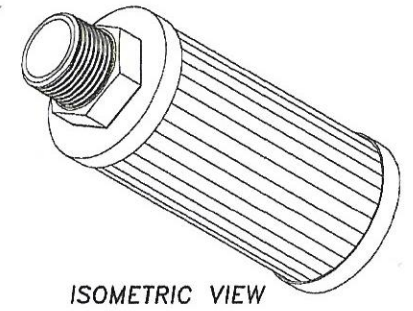


TOP VIEW

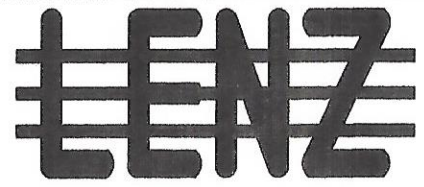
3/4" NPT



SECTION VIEW



ISOMETRIC VIEW



PROPRIETARY AND CONFIDENTIAL

THE INFORMATION CONTAINED IN THIS DRAWING IS THE SOLE PROPERTY OF LENZ INC. ANY REPRODUCTION IN PART OR AS A WHOLE WITHOUT THE WRITTEN PERMISSION OF LENZ INC. IS PROHIBITED.

UNLESS OTHERWISE SPECIFIED: DIMENSIONS ARE IN INCHES TOLERANCES: FRACTIONAL ± ANGULAR: MACH ± BEND ± TWO PLACE DECIMAL ± THREE PLACE DECIMAL ±	DRAWN --	NAME --	DATE --	DESIGNED FOR: --		
	CHECKED --	ENG APPR. --	MFG APPR. --	DESCRIPTION:		
	MATERIAL 	Q.A. --	COMMENTS: --	SIZE A	DWG. NO. 48-6-60	REV --
	FINISH 	SCALE: 1:2 WEIGHT: SHEET 1 OF 1				
	DO NOT SCALE DRAWING					