



LGB Air Breathers

Threaded / Bayonet Flange

Model LGB

- White metal filter canister
- Zinc plated steel adapter
- Air flow to 200 CFM (1125 GPM)
- Compatible with most fluids
- Temperature to 250° F (121° C)
- 1/2", 3/4", 1", 1 1/4" NPT Threads
(Optional threads available; Consult Factory)

Options:

- 10 micron glass media
- 10 or 25 cellulose media



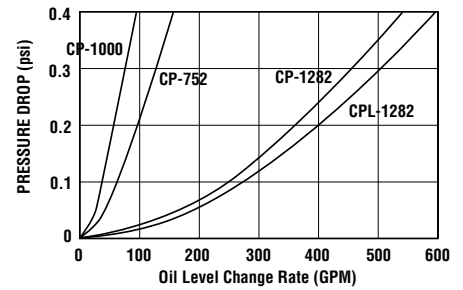
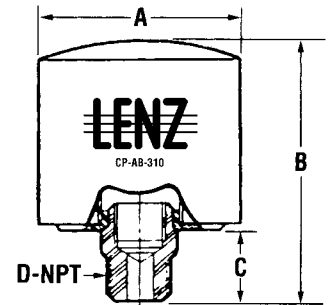
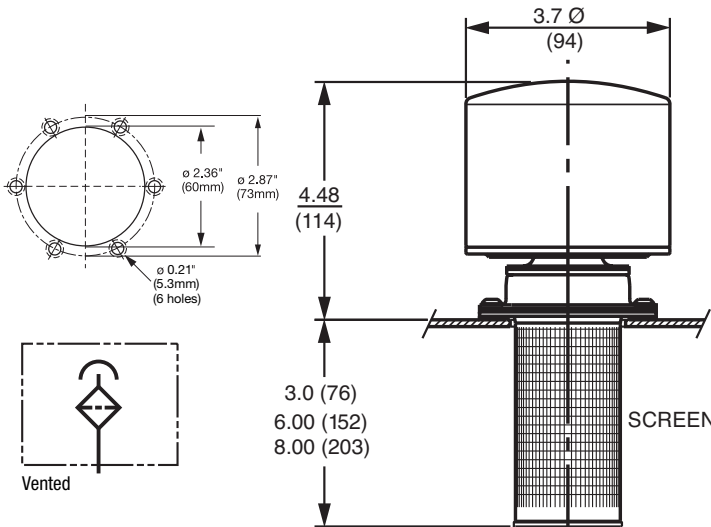
LGB-B7-10



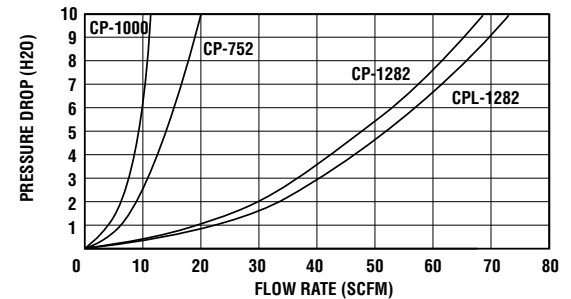
LGB-B-310
(Replacement Breather)



LGB-12-10 Assembly
* Comes with flange, gasket, screen & mounting screws



Based upon pressure drop 5 inches of H₂O (.18 PSID) through clean element



Dimensional Detail

| TANK BREATHER ADAPTER | LENGTH C | THREAD D | ELEMENT SERIES | A | B | GPM | CFM |
|-----------------------|----------|------------|-----------------|-----|-----|-----|-----|
| LABA-8-8 | 1.0 | 1/2" NPT | CP10*** | 3.0 | 4.4 | 60 | 8.0 |
| LABA-8 | 1.5 | 1/2" NPT | CP-752**CPL-752 | 3.8 | 7.1 | 215 | 30 |
| LABA-12-16 | 1.2 | 3/4" NPT | CP-AB-310 | 3.7 | 4.9 | 215 | 30 |
| B12 | 1.0 | | CP-AB-310 | 3.7 | 4.7 | 215 | 30 |
| LABA-12 | 1.5 | 3/4" NPT | CP-752** | 3.8 | 7.1 | 250 | 35 |
| LABA-16 | 1.5 | 1" NPT | CP-752** | 3.8 | 7.1 | 250 | 35 |
| LABA-20 | 1.5 | 1 1/4" NPT | CP-1282** | 4.8 | 9.4 | 850 | 110 |

Ordering Code

LGB — 12 — 10

| LGB BREATHERS | PORT SIZE | ELEMENT SERIES | MICRONS |
|---------------|----------------|----------------|---------|
| | 8 1/2" NPT | CP-752 | 3 |
| | 8-8 1/2" NPT | CP-1000 | 10 |
| | 12 3/4" NPT | CP-752 | 10 |
| | 12-16 3/4" NPT | CP-AB-310 | 25 |
| | 16 1" NPT | CP-752 | 25 |
| | 20 1 1/4" NPT | CP-1282 | 10SYN |
| | | | 10WR |

* Check element availability on pages 1a, 5a, 7a

Ordering Code

LGB — B128 — 10 — N

| LGB BREATHERS | PORT SIZE | ELEMENT SERIES | MICRONS | OPTIONS |
|---------------|--------------|----------------|---------|-----------------------|
| | B7 BAYONET | CP-752 | 3 | Omit 3" 30 Mesh (Std) |
| | B128 BAYONET | CP-1282 | 10 | 3-100 3" 100 Mesh |
| | B BAYONET | CP-AB-310 | 10 | N 4" Nylon |
| | | | 25 | 6-30 6" 30 Mesh |
| | | | 25 | 6-100 6" 100 Mesh |
| | | | 10SYN | 8-30 8" 30 Mesh |
| | | | 10WR | |

* Check element availability on pages 1a, 3a, 5a