



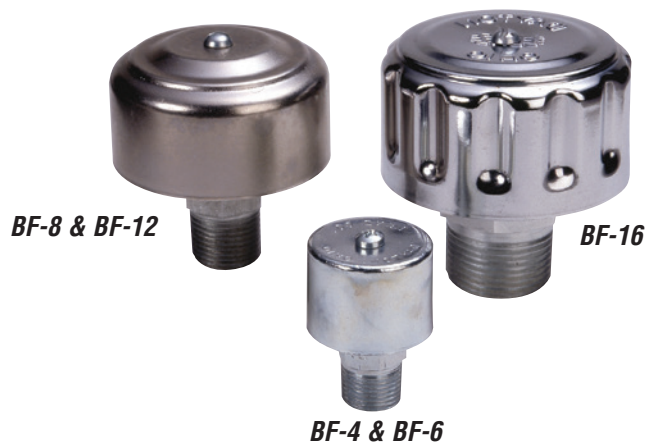
Threaded Filler Breather Caps

Model BF Series

- Maximum flow rate 35 CFM, 250 GPM@.56 PSI
- Steel shell nickel chrome or black powder coated
- Steel zinc plated fitting base
- 10 or 40 micron foam filtration
- Operating temperature -22°F to +212°F (-30°C to +100°C)
- Compatible with petroleum and mineral base oils

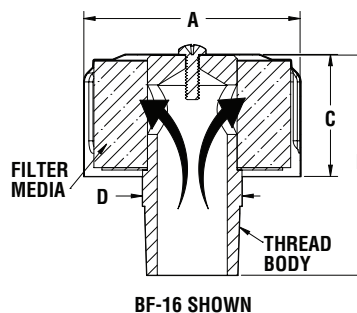
Options Available

- 1/4", 3/8", 1/2", 3/4", 1" NPT threads
- 9/16"-18 thread available

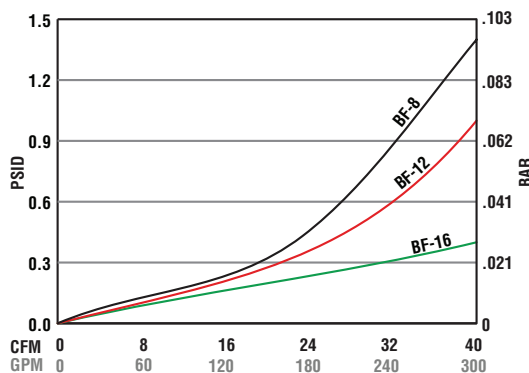
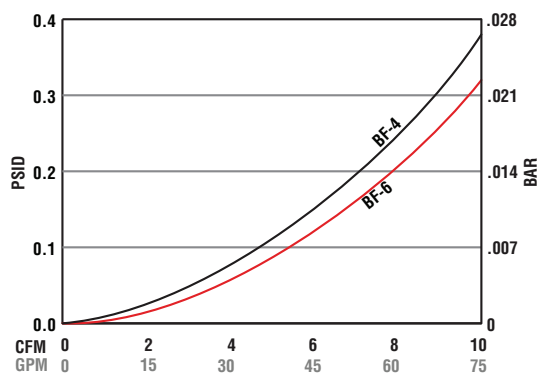


Dimensional Detail

Model	Micron	Pipe Size	Air Flow		A	B	C	D
BF-4	10, 40	1/4"	4	in. mm	1.4" 35	1.9" 47	1" 25	0.7" 18
BF-6	10, 40	3/8", 9/16"-18	4	in. mm	1.4" 35	1.9" 47	1" 25	0.7" 18
BF-8	10, 40	1/2"	35	in. mm	2.6" 67	2.9" 74	1.4" 36	0.9" 24
BF-12	10, 40	3/4"	40	in. mm	2.6" 67	3" 76	1.4" 36	1.1" 27
BF-16	10, 40	1"	40	in. mm	3" 76	3.3" 83	1.7" 43	1.4" 36



BF Series Performance Graphs



Ordering Code

* - BF - 6 - *

Omit		Series	Size	Options
BPC	ALL	BF	4	DIP 1/2", 3/4", 1"
ISO	BF-16	BFA - SAE #6	6	10M ALL
*AS	Anti-splash		8	
			12	
			16	

See dipstick reference chart page 73b

*Available: BF-8, 12, 16 size



Dipstick reference chart

	Series	Markings	Type of Dipstick	Page	Lead Time
Quantity	NY, NY-LVB, NYF, LDP			17, 24, 30b	
1-24	Standard Length	No Markings	Cylindrical		2 Weeks
25-99	Cut to Length	No Markings	Cylindrical		2 Weeks
100-249	Cut to Length	Hash Markings	Cylindrical		4-6 Weeks
250+	Cut to Length	Hash Markings	Cylindrical		4-6 Weeks
250+	Cut to Length	Laser Markings	Blade		8 Weeks
Quantity	NYPF, NYPO, LDP	Markings	Type of Dipstick	34, 35b	
1-24	Standard Length	No Markings	Cylindrical		2 Weeks
25-99	Cut to Length	No Markings	Cylindrical		2 Weeks
100-249	Cut to Length	Hash Markings	Cylindrical		4-6 Weeks
250+	Cut to Length	Hash Markings	Cylindrical		4-6 Weeks
250+	Cut to Length	Laser Markings	Blade		8 Weeks
Quantity	NY-B, XLPO	Markings	Type of Dipstick	9, 34b	
1-24	Standard Length	No Markings	Blade		2 Weeks
25-99	Cut to Length	No Markings	Blade		2 Weeks
100-249	Cut to Length	Laser Markings	Blade		4-6 Weeks
250+	Cut to Length	Laser Markings	Blade		8 Weeks
Quantity	XL, 3 & 4, caps	Markings	Type of Dipstick	5, 6, 7b	
1-24	Standard Length	No Markings	Blade		2 Weeks
25-99	Cut to Length	No Markings	Blade		2 Weeks
100-249	Cut to Length	Stamp Markings	Blade		4-6 Weeks
250+	Cut to Length	Laser Markings	Blade		8 Weeks
Quantity	BF, LMB	Markings	Type of Dipstick	20, 22b	
1-24	Standard Length	No Markings	Blade		2 Weeks
25-99	Cut to Length	No Markings	Blade		4-6 Weeks
100-249	Cut to Length	Stamp Markings	Blade		8 Weeks
250+	Cut to Length	Laser Markings	Blade		8 Weeks
Quantity	ABFT, AFBB, AFBM	Markings	Type of Dipstick	23, 26b	
1-24	Standard Length	No Markings	Blade		4-6 Weeks
25-99	Cut to Length,	No Markings	Blade		4-6 Weeks
100-249	Cut to Length	Stamp Markings	Blade		8 Weeks
250+	Cut to Length	Laser Markings	Blade		8 Weeks
Quantity	NY-9-M52	Markings	Type of Dipstick	29b	
1-24	Standard Length	No Markings	Blade		4-6 Weeks
25-99	Cut to Length	No Markings	Blade		4-6 Weeks
100-249	Cut to Length	Stamp Markings	Blade		8 Weeks
250+	Cut to Length	Laser Markings	Blade		8 Weeks