



AN-WB Weld Couplings

Model AN-WB

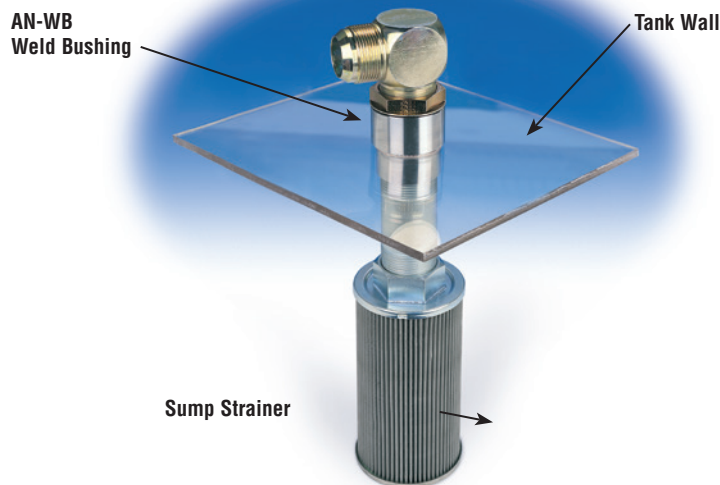
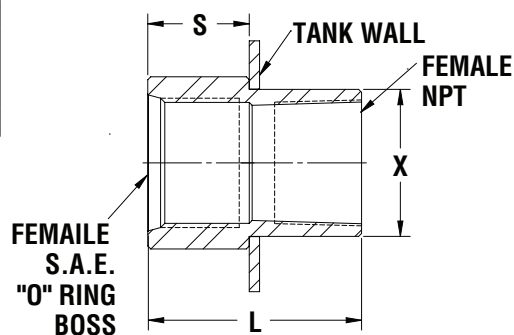
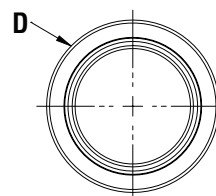
- Machined 1018 steel, phosphate finish
- 304 stainless steel
- -6 to -32 female SAE threads
- 3/8" to 2" NPT threads

Options

- Aluminum adapters (250 minimum qty.)

Dimensional Details

Model Number	Female SAE	Female Pipe	L +.03	X Pilot Dia.	D Dia.	S
AN-WB-6-6	9/16"-18	3/8"	1.41	.808	1.00	.437
AN-WB-8-8	3/4"-16	1/2"	1.72	.995	1.125	.63
AN-WB-10-12	7/8"-14	3/4"	1.88	1.27	1.38	.94
AN-WB-12-12	1 1/16"-12	3/4"	1.98	1.275	1.50	1.0
AN-WB-14-16	1 3/16"-12	1"	2.04	1.50	1.62	.96
AN-WB-16-16	1 5/16"-12	1"	2.17	1.495	1.75	1.08
AN-WB-20-20	1 5/8"-12	1 1/4"	2.25	1.870	2.125	1.12
AN-WB-24-24	1 7/8"-12	1 1/2"	2.26	2.125	2.375	1.13
AN-WB-32-32	2 1/2"-12	2"	2.41	3.00	3.25	1.25



Ordering Code LWBA

AN-WB - 12 - 12 - SS

Series	Female SAE	Female Pipe	Material
AN-WB	6 9/16"-18	6 3/8" NPT	Omit Steel
	8 3/4"-16	8 1/2" NPT	SS 304 Stainless Steel
	10 7/8"-14	12 3/4" NPT	*ALUM Aluminum
	12 1 1/16"-12	16 1" NPT	
	14 1 3/16"-12	20 1 1/4" NPT	
	16 1 5/16"-12	24 1 3/4" NPT	
	20 1 5/8"-12	32 2" NPT	
	24 1 7/8"-12		
	32 2 1/2"-12		

*Consult factory for availability

See Technical Bulletin TB.FIL24.1212, TB.TA01.708 TB.TA02.708 or further information at (Technical Data - www.lenzinc.com)