



## Tank Top Filler Breather

Model ABS-40 / ABS-30

### Specifications

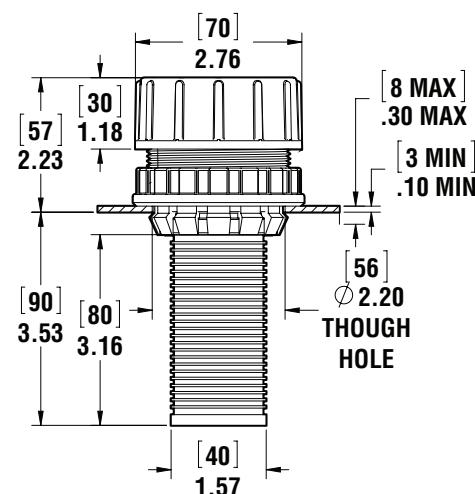
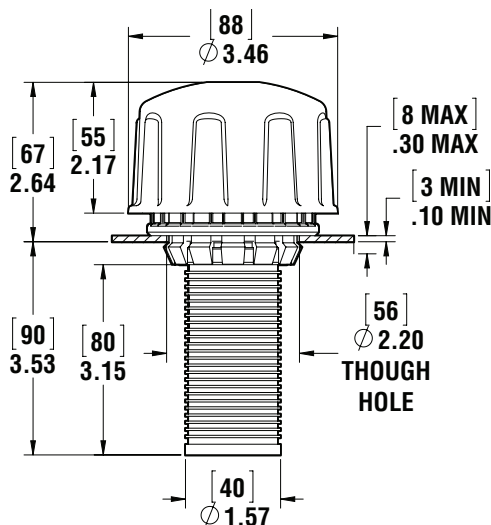
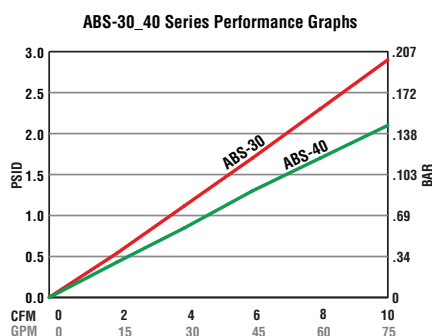
- Maximum flow rate 14 CFM and 105 GPM @.73 PSI (ABS-40)
- Maximum flow rate 1.2 CFM and 93 GPM @.73 PSI (ABS-30)
- PA66 nylon cap threads onto tank lock ring
- 50 micron foam filter filtration
- Operating temperature -4°F to + 194°F (-20°C to +90°C)
- Compatible with petroleum and mineral based fluids
- Tank top minimum .07" (2 mm) maximum .31" (8mm)
- Tether chain standard
- Buna tank seal
- Tank hole cutout 2.16"-2.17"(55-55.3 mm)
- No mounting screws required



ABS-40



ABS-30



## Filler Breather Threaded Mount-Screen

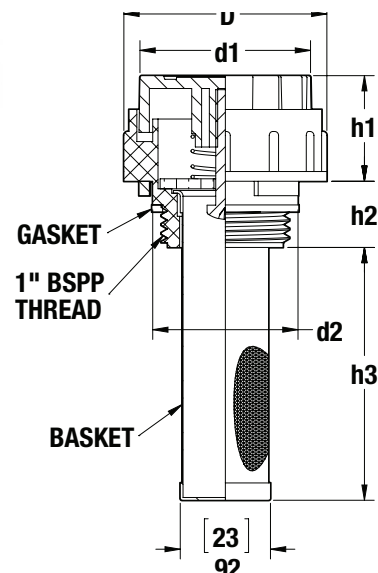
Model NY-B-2-300

### Specifications

- Maximum flow rate 7 CFM and 52 GPM @.73 PSI
- PA66 nylon cap threads onto tank lock ring
- 30 micron bronze filter
- Operating temperature -22°F to + 212°F (-30°C to +100°C)
- Compatible with petroleum and mineral based fluids
- 1" BSPP thread
- 50 mesh drop in steel basket
- Buna tank seal
- Twist off cap to fill the tank



Optional all stainless unit is available



### Dimensional Detail

Model		D	d1	h1	h2	h3	D2
NY-B-2-300	in.	2.06	1.77	1.06	.67	2.56	1.48
	mm	52.5	45	27	17	65	37.7

Order WF-16B 1" BSPP thread for weld flange to install breather.