



6 Bolt bayonet Flange

These SAE J829 tank mounted filler breathers are used as a fill port on reservoirs. Lenz breathers filter out contaminants when filling the reservoir, and airborne contaminants as the system is operating. Over the next few pages Lenz offers various components you can select when designing your filler breather assembly.

Bayonet Filler Breather Components

Steel Zinc Plated or Epoxy coated flanges

- SAE J829 mounting flange
- 1/2" height, (5 flange)
- 1 1/2" height, (5-1.5 HN)
- 3" height, (5-3 HN)

Stainless Steel Baskets (304 S.S)

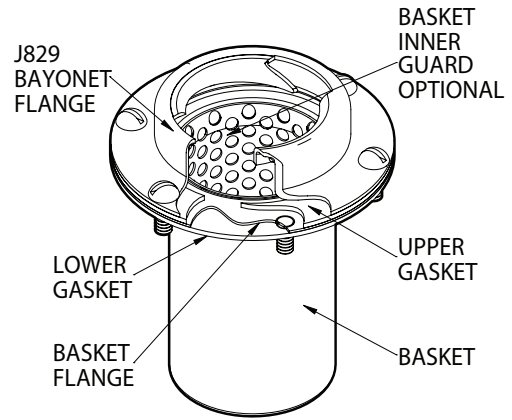
- 7-2-30 2" O.A.L. 30 mesh stainless screens, steel zinc plated flange
- 7-3-30 3" O.A.L. 30 mesh stainless screens, steel zinc plated flange
- 7-3-100 3" O.A.L. 100 mesh stainless screens, steel zinc plated flange
- 7-6-30 6" O.A.L. 30 mesh stainless screen, steel zinc plated flange
- 7-6-100 6" O.A.L. 100 mesh stainless screen, steel zinc plated flange
- 7-8-30 8" O.A.L. 30 mesh stainless screen, steel zinc plated flange
- 7-8-100 8" O.A.L. 100 mesh stainless screen, steel zinc plated flange
- 7-13-30 13" O.A.L. 30 mesh stainless screen, steel zinc plated flange

Nylon Basket

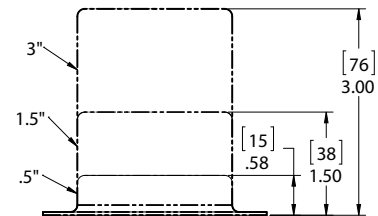
- 7-N 3.8" O.A.L. 30 mesh polypropylene screens

Basket Inner Guards

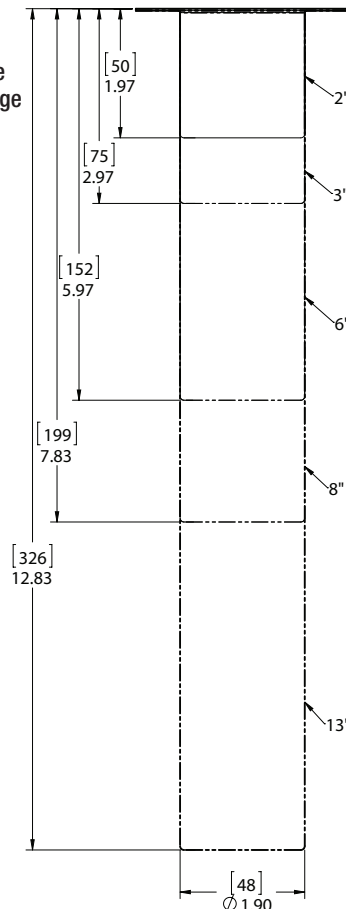
- Steel perforated metal, steel zinc plated flange
- 7-3 inner guard 3" basket, steel zinc plated flange
- 7-6 inner guard 6" basket, steel zinc plated flange
- 7-8 inner guard 8" basket, steel zinc plated flange
- 7-13 inner guard 13" basket, steel zinc plated flange



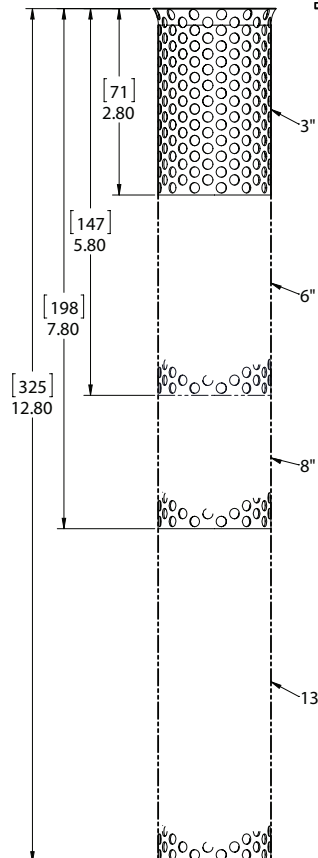
Bayonet Flange



Stainless Baskets



Basket Inner Guard



Nylon Basket

