



Fluid Level Sight Gauges

Sealed Back Model 550 / T-550

Specifications

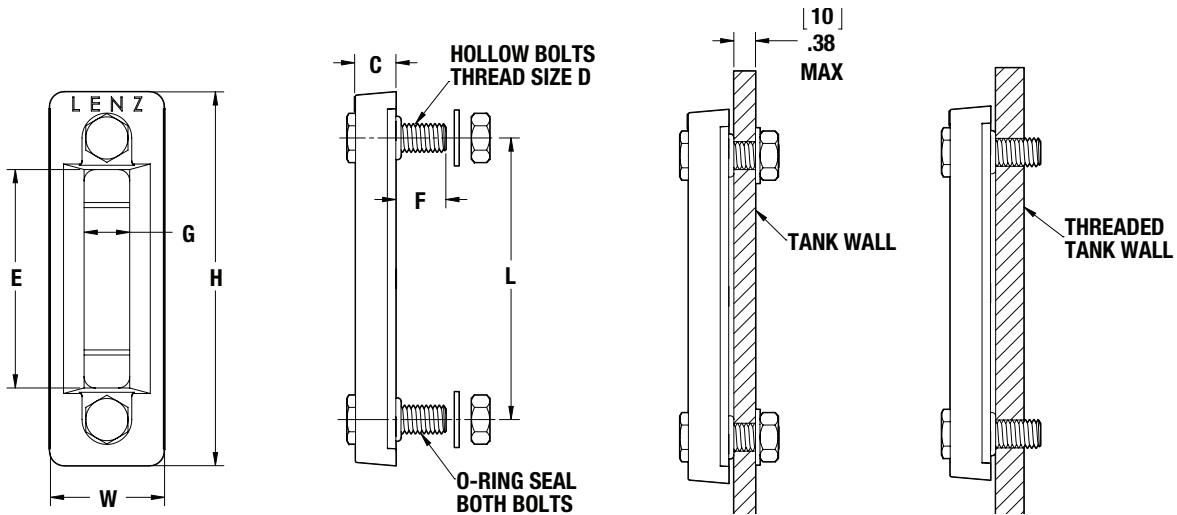
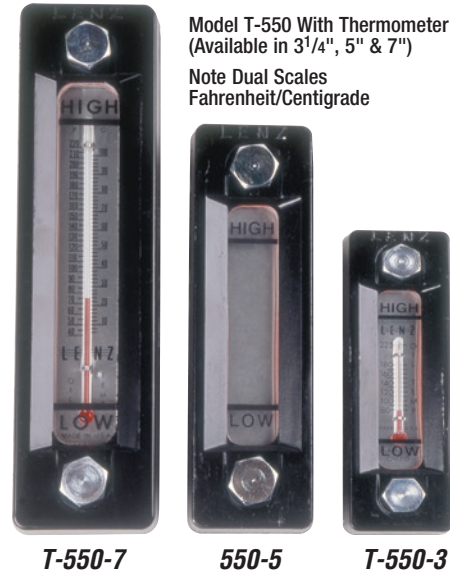
- Aluminum alloy body with black finish coat
- Glass lens
- 1/2"-13 mounting hardware
- 3.25, 5", 7" mounting centers
- Maximum operating temperature +212°F (+100°C)
- Brushed aluminum thermometer card
- Compatible with petroleum, mineral, water based fluids
- Viton seals, gaskets standard

Options

- M12 mounting bolts
- 1/2"-13 stainless mounting hardware

Model T-550 With Thermometer
(Available in 3 1/4", 5" & 7")

Note Dual Scales
Fahrenheit/Centigrade

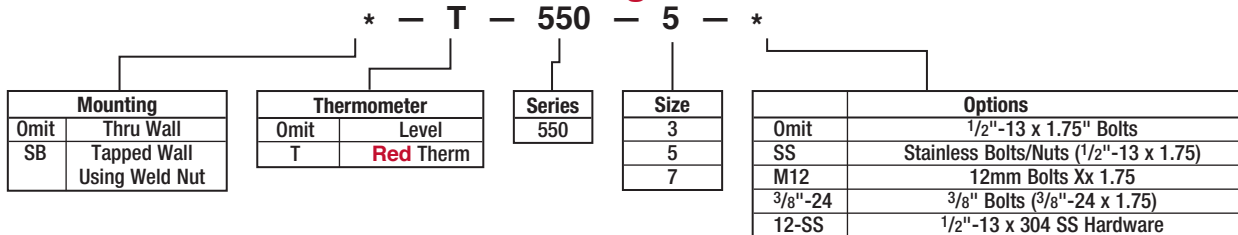


Dimensional Detail

Standard Models	Thermometer Models		L	H	W	C	D	E	F	G	Torque
550-3	T-550-3	in.	3.25"	4.8"	2"	0.7"	1/2-13 UNC-2	2.2"	0.8"	0.8"	4 FT-LBS
		mm	82.55	122	51	18		56	20	20	5NM
550-5	T-550-5	in.	5"	6.6"	2"	0.7"	1/2-13 UNC-2	3.9"	0.8"	0.8"	4 FT-LBS
		mm	127	168	51	18		99	20	20	5NM
550-7	T-550-7	in.	7"	8.6"	2.3"	0.8"	1/2-13 UNC-2	5.9"	0.7"	1"	4 FT-LBS
		mm	178	218	58	20		150	18	25	5NM

Note* When ordering for tapped tank wall, add "SB" to part number Ex: SB-T-550-5

Ordering Code



*Consult LENZ

See website technical bulletin TB.TA09.708, TB.TA15.708 and TB.TA23.708 for further information at (Technical Data - www.lenzinc.com).