



Reservoir Flanges

Suction and Return Line

Models SF & RF

LENZ Reservoir Flanges

Afford a leakproof seal for pipes or tubes passing through the reservoir top... keep fluid in, dirt out. No welding, no unions, and saves on piping assembly time. Both types come completely packaged with the parts as shown and with templates... ready for quick, easy installation. Meet ASA standards. They serve as economical inspection ports.

Suction Flanges

No. SF & SFO are designed for the suction pipe line of the reservoir. The parts are installed on the top of the tank as shown in the diagram, Figure 1. The larger models, SFO-24 to SFO-48, permit the use of filters larger than 4 1/2" in diameter*. All sizes allow the easy removal of suction strainers from ASA standard reservoirs.

Return Line Flanges

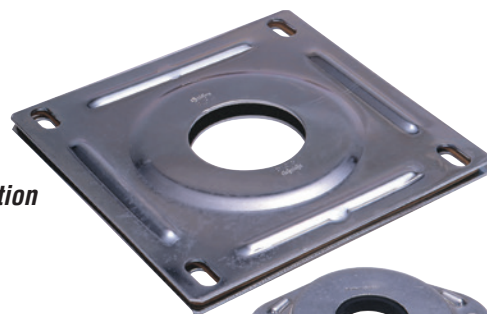
No. RF

Return Flanges are designed to accommodate the return pipe to the tank. The parts, as shown, are quickly and easily installed on the tank as shown in the diagram Figure 2. Range of model sizes and internal washer sizes are shown in table below in RF Models.

Dimensional Detail SF, SFO

Pipe Size	Suction Flange	Return Flange		A	B	C	D	E	F	G
1/2"	SF-8	RF-8	in.	5.3"	5.5"	4.3"	2.1"	1.2"	0.8"	3"
			mm	135	140	109	53	30.4	20	76
3/4"	SF-12	RF-12	in.	5.3"	5.5"	4.3"	2.1"	1.75"	1"	3"
			mm	135	140	109	53	44.4	25	76
1"	SF-16	RF-16	in.	5.3"	5.5"	4.3"	2.1"	1.75"	1.3"	3"
			mm	135	140	109	53	44.4	33	76
1 1/4"	SF-20	RF-20	in.	5.3"	5.5"	4.3"	2.1"	2.5"	1.7"	3"
			mm	135	140	109	53	63.5	43	76
1 1/2"	SF-24		in.	5.3"	5.5"	4.3"	2.1"	2.5"	1.9"	3"
			mm	135	140	109	53	63.5	43	76
1 1/2"	SFO-24	RF-24	in.	7.3"	7.5"	6.3"	3.1"	3.1"	1.9"	3"
			mm	185	191	160	79	78.7	48	76
2"	SFO-32	RF-32	in.	7.3"	7.5"	6.3"	3.1"	3.1"	2.3"	3"
			mm	185	191	160	79	78.7	58	76
2 1/2"	SFO-40		in.	7.3"	7.5"	6.3"	3.1"	3.8"	2.8"	4.25"
			mm	185	191	160	79	97	71	108
3"	SFO-48		in.	7.3"	7.5"	6.3"	3.1"	3.8"	3.5"	4.25"
			mm	185	191	160	79	97	89	108
None		RF BLANK								

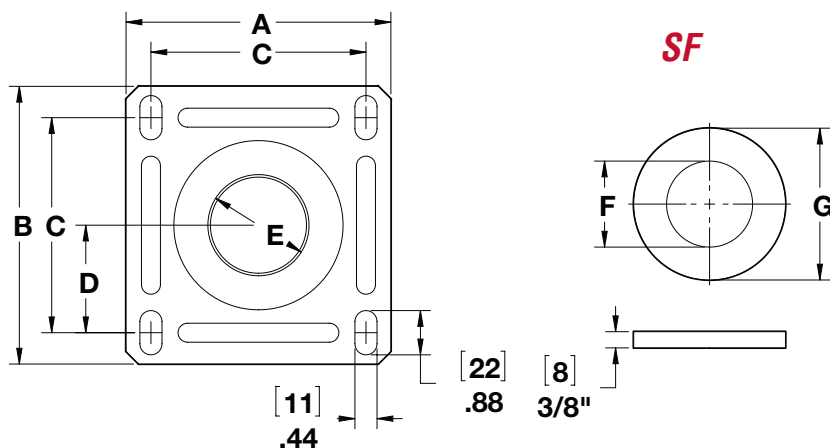
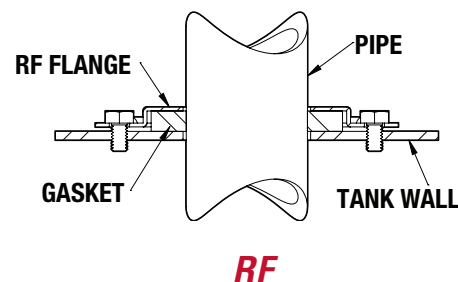
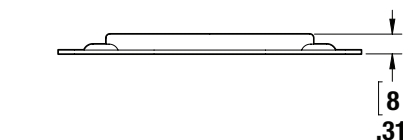
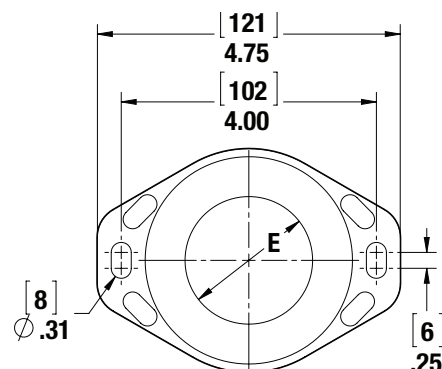
*SF Models permit use of sump strainers up to 4 1/2" in diameter.
SFO Models permit use of sump strainers up to 6 1/2" in diameter.



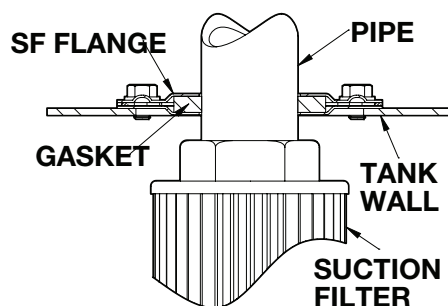
Suction



Return



SF



See website technical bulletin TB.TA08.708 for further information.