



Magnetic Drain Plugs

STP-MAG

Specifications

- 12L14 steel Hex head plug
- Zinc plated (RoHS)
- Operating temperature 15°F (-9°C) to 212°F (100°C)
- Buns seal standard
- Pressed in magnet retained with epoxy
- SAE sizes 4 to 32

Options

- Viton seals



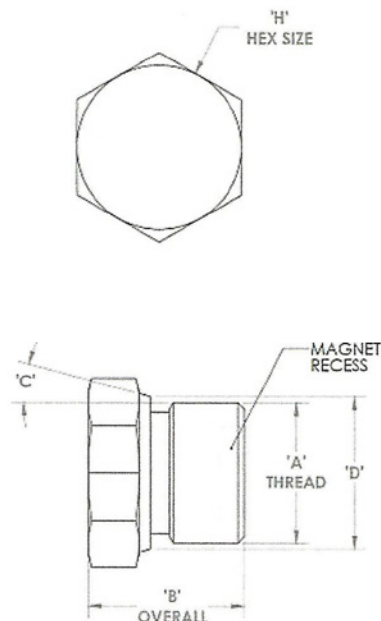
STP-MAG



12STP-MAG

Dimensional Detail

Model Number	A Thread	O-Ring Size		B	C	D	H
4STP-MAG	7/16"-20		in.	0.67	12	0.48	0.56
		8.0 x 1.5	mm	17.0		12.1	14.2
6STP-MAG	9/16"-18		in.	0.73	12	0.61	.69
		12.1 x 1.6	mm	18.5		15.4	17.5
8STP-MAG	3/4"-16		in.	0.8	15	0.80	.875
		15.6 x 1.78	mm	20.3		20.3	22.2
12STP-MAG	1 1/16"-12		in.	1.09	15	1.13	1.25
		22.3 x 2.4	mm	27.7		28.7	31.8
16STP-MAG	1 5/16"-12		in.	1.12	15	1.39	1.50
		27.0 x 2.5	mm	28.4		35.2	38.1
20STP-MAG	1 5/8"-12		in.	1.2	15	1.70	1.87
		35 x 2.5	mm	30.5		43.1	47.5
24STP-MAG	1 7/8"-12		in.	1.27	15	1.95	2.13
		41 x 2.5	mm	32.3		49.4	54.1
32STP-MAG	2 1/2"-12		in.	1.43	15	2.57	2.75
		55 x 2.5	mm	36.3		65.3	69.9



Magnetic Aluminum Plugs

TMA

Specifications

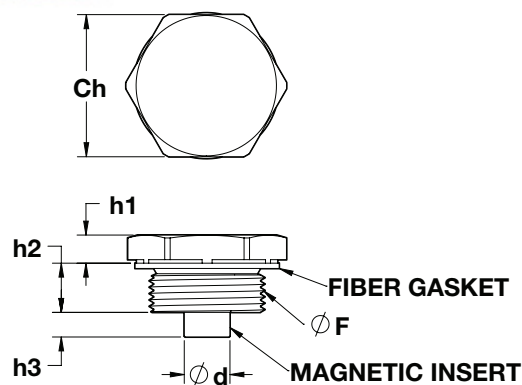
- 11S aluminum hex head plug
- Operating temperature 212°F (100°C)
- Pressed in magnet
- BSPP threads standard
- FASIT 202 Fiber Gaskets

Options

- Aluminum gasket

Dimensional Detail

Model	F Port Thread		Ch	d	h1	h2	h3	Torque
TMA-14	1/4" BSPP	in.	0.75	0.20	0.28	0.39	0.24	5-7 ft. lbs
		mm	19	5	7.0	10.0	6.0	8-10 nm
TMA-38	3/8" BSPP	in.	0.87	0.31	0.28	0.39	0.28	5-7 ft. lbs
		mm	22	8	7.0	10.0	7.0	8-10 nm
TMA-12	1/2" BSPP	in.	1.06	0.39	0.31	0.39	0.28	7-11 ft. lbs
		mm	27	10	8.0	10.0	7.0	10-15 nm
TMA-34	3/4" BSPP	in.	1.34	0.51	0.31	0.39	0.28	7-11 ft. lbs
		mm	34	13	8	10	7	10-15 nm
TMA-1	1" BSPP	in.	1.57	0.51	0.31	0.55	0.28	7-11 ft. lbs
		mm	40	13	8	14	7	10-15 nm
TMA-1 1/4	1 1/4" BSPP	in.	1.97	0.39	0.39	0.59	0.59	7-11 ft. lbs
		mm	50	10	10	15	15	10-15 nm



See Technical Bulletin TB.TA14.708 for further information at (Technical Data - www.lenzinc.com).