



DIN End Covers

Model 136699, 136799

Lenz cast aluminum DIN End Covers provide access point to clean, inspect or mount components inside the reservoir

Specifications

- Cast aluminum end covers
- 4 or 6 bolt mounting offer secure sealing against tank wall
- No tank baffle required
- 350mm or 475mm diameter covers according to DIN 24339 standard
- M10 acorn nuts come with kit
- Buna N gasket comes with cover
- Torque recommendation 35 in-lbs

Model		A	B	C	D
136699	in.	13.8	12.8	9.8	0.7
	mm	350	324	248	18
136799	mm	18.7	17.7	15.1	0.7
	mm	475	449	383	18

Ordering Information

Model	Description
136699 Kit	Includes cover, gasket, 4 acorn nuts
136799 Kit	Includes cover, gasket, 6 acorn nuts

Replacement Parts

Part Number	Description
M10 Acorn Nuts	4 Or 6 required
350 GSK	Gasket for 136699
475 GSK	Gasket for 136799
350	Cover with gasket
475	Cover with gasket

Access Cover

Model TC-6

Features Include:

- 6" diameter steel black powder coat
- Maximum hole is 5" diameter
- Nylon crush washer

Options:

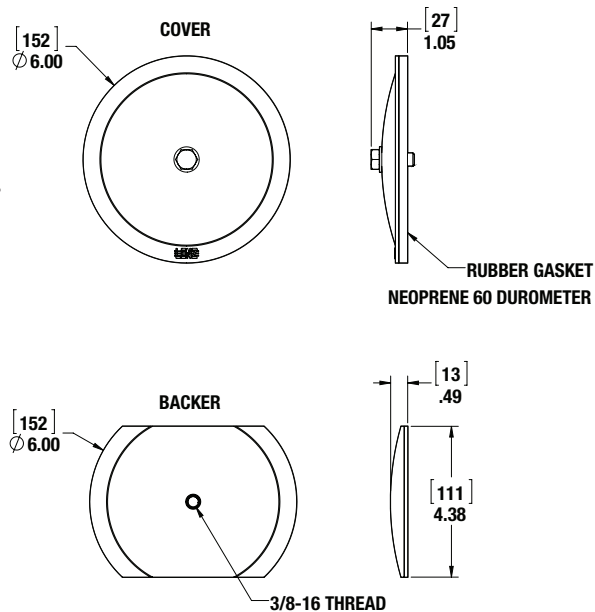
- Stainless steel (-SS) suffix

Model	D	Gasket	"L" Bolt	Access Hole
TC-6	14 GA.	TCG-6	3/8" x 1 1/2"	5"



TC-6

Dimensional Drawing



Installation Drawing

