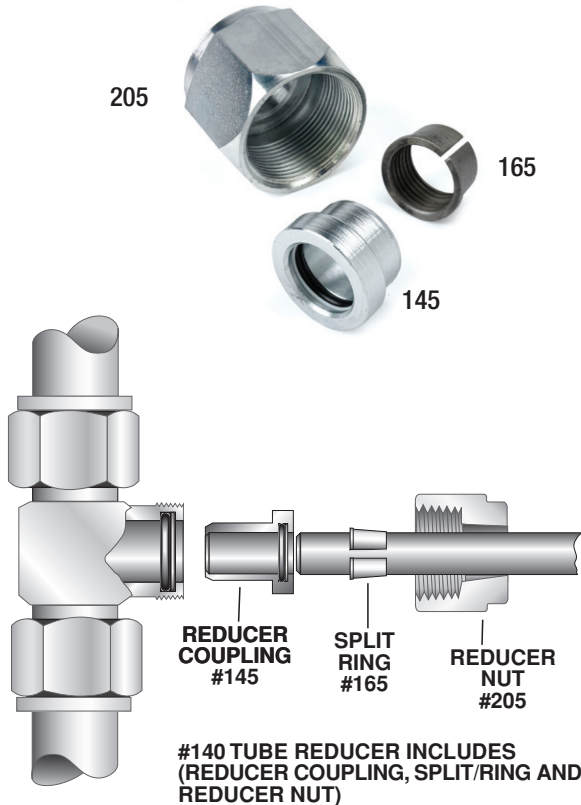
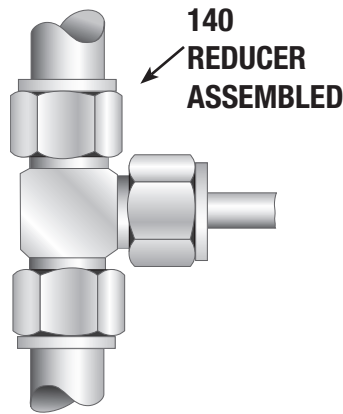


140
"O-RING SEAL"
TUBE REDUCER ADAPTERS



#140 TUBE REDUCER INCLUDES (REDUCER COUPLING, SPLIT/RING AND REDUCER NUT)

The Lenz exclusive Tube Reducer Adapter makes possible line reductions on any leg by the use of standard adapters and adapter nuts.



205P Plug
TO PLUG O-RING FITTING END
Used With 205 Nut



A-100 • Male Connector
Part Numbers Include body nuts, sleeves, "O-Rings" and Back-Up Washers.

Part No.	Tube End Reduction	Nut Hex	Increase In Fitting Length
140-6-4	3/8"-1/4"	.75"	.28"
140-6-5	3/8"-5/16"	.75"	.28"
140-8-4	1/2"-1/4"	1.00"	No Change
140-8-5	1/2"-5/16"	1.00"	.19"
140-8-6	1/2"-3/8"	1.00"	.19"
140-10-4	5/8"-1/4"	1.13"	.06" Shorter
140-10-5	5/8"-5/16"	1.13"	.06" Shorter
140-10-6	5/8"-3/8"	1.13"	.06" Shorter
140-10-8	5/8"-1/2"	1.13"	.31"
140-12-4	3/4"-1/4"	1.25"	.06" Shorter
140-12-5	3/4"-5/16"	1.25"	.06" Shorter
140-12-6	3/4"-3/8"	1.25"	.06" Shorter
140-12-8	3/4"-1/2"	1.25"	.28"
140-12-10	3/4"-5/8"	1.25"	.34"
140-14-6	7/8"-3/8"	1.38"	.09" Shorter
140-14-8	7/8"-1/2"	1.38"	.03"
140-14-10	7/8"-5/8"	1.38"	.31"
140-14-12	7/8"-3/4"	1.38"	.34"
1440-16-6	1"-5/16"	1.63"	.19" Shorter
140-16-8	1"-1/2"	1.63"	.06" Shorter
140-16-10	1"-5/8"	1.63"	No Change
140-16-12	1"-3/4"	1.63"	.25"
140-16-14	1"-7/8"	1.63"	.28"
140-20-6	1 1/4"-3/8"	2.00"	.31" Shorter
140-20-8	1 1/4"-1/2"	2.00"	.19" Shorter
140-20-10	1 1/4"-5/8"	2.00"	.13" Shorter
140-20-12	1 1/4"-3/4"	2.00"	.09" Shorter
140-20-14	1 1/4"-7/8"	2.00"	.06" Shorter
140-20-16	1 1/4"-1"	2.00"	.34"
140-24-8	1 1/4"-1/2"	2.25"	.31" Shorter
140-24-10	1 1/2"-5/8"	2.25"	.25" Shorter
140-24-12	1 1/2"-3/4"	2.25"	.22" Shorter
140-24-14	1 1/2"-7/8"	2.25"	.19" Shorter
140-24-16	1 1/2"-1"	2.25"	.09" Shorter
140-24-20	1 1/2"-1 1/4"	2.25"	.34"
140-32-8	2"-1/2"	3.00"	.50" Shorter
140-32-10	2"-5/8"	3.00"	.44" Shorter
140-32-12	2"-3/4"	3.00"	.41" Shorter
140-32-14	2"-7/8"	3.00"	.38" Shorter
140-32-16	2"-1"	3.00"	.31" Shorter
140-32-20	2"-1 1/4"	3.00"	.19" Shorter
140-32-24	2"-1 1/2"	3.00"	.06" Shorter

205P Plug • To Plug O-Ring Fitting End Used With 205 Nut

Part No.	Tube O.D.	Overall Length
205P-2	1/8"	.39"
205P-4	1/4"	.50"
205P-5	5/16"	.50"
205P-6	3/8"	.56"
205P-8	1/2"	.56"
205P-10	5/8"	.56"
205P-12	3/4"	.59"
205P-14	7/8"	.59"
205P-16	1"	.72"
205P-20	1 1/4"	.72"
205P-24	1 1/2"	.84"
205P-32	2"	.88"

Stainless Steel Tubing
 Lenz O-ring Seal tube fitting performs equally well on stainless steel tubing as with carbon steel tubing, but requires the use of stainless steel sleeves (#165-xxSS) and stainless steel buffer washers (#195-xx-SS), even when used with steel fittings. Example, when ordering: 100-12-12 with SS Sleeves.
 When Ordering Lenz Fittings in all Stainless Steel Add SS To The Part Number. Example: 100-12-12-SS