



LOW-25 Black Steel Case-Capsule Movement

Inches/Water Column

Dial Size: 2 1/2" Dry Case

Pressure Ranges: 15"H2O to 240"H2O/3 to 10 P.S.I.

Accuracy: Within 1.5% of Maximum Graduation

Case: Black Steel

Movement: Copper Alloy Capsule designed to measure low pressure

Connection: 1/4" Brass Bottom Mount or Rear Connection

Recalibration: Adjustment Screw on dial to re-zero pointer if necessary

LOW-25 MOUNTING OPTIONS, ADD SUFFIX:

"FF" for Chrome Front Flange - Example: LOW-30H2O-25RC-FF

LOW-25

LENZ Low pressure gauges are extremely sensitive and highly accurate.

The copper alloy capsule is designed to measure pressure and vacuum

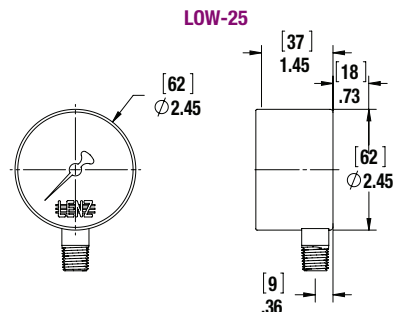
of gaseous media from as low as 15"H2O to 240"H2O/3 to 10 P.S.I.



LOW-25

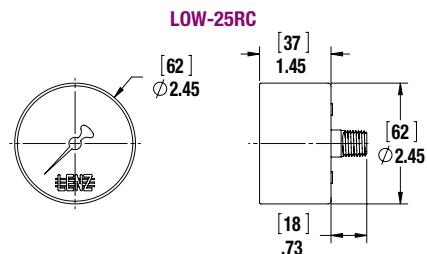
Pressure Ranges (dual scale) (H2O/mm H2O)

STANDARD BOTTOM MOUNT MODEL NUMBER	REAR CENTER MOUNT MODEL NUMBER	Inches/H2O	mm/H2O
LOW-15H2O-25	LOW-15H2O-25RC	0-15	0-380
LOW-30H2O-25	LOW-30H2O-25RC	0-30	0-760
LOW-60H2O-25	LOW-60H2O-25RC	0-60	0-1500
LOW-100H2O-25	LOW-100H2O-25RC	0-100	0-2500
LOW-200H2O-25	LOW-200H2O-25RC	0-200	0-5000



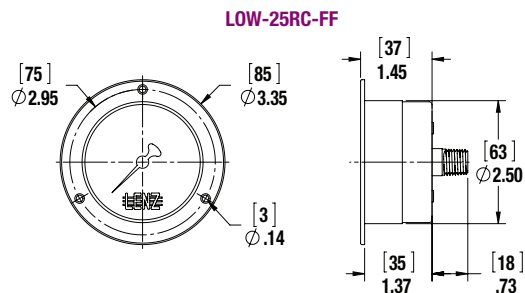
(oz./sq.in./ H2O)

STANDARD BOTTOM MOUNT MODEL NUMBER	REAR CENTER MOUNT MODEL NUMBER	Ounces	Inches/H2O
LOW-20OZ-25	LOW-20OZ-25RC	0-20	0-34
LOW-32OZ-25	LOW-32OZ-25RC	0-32	0-55



(oz./sq.in./ mmH2O)

STANDARD BOTTOM MOUNT MODEL NUMBER	REAR CENTER MOUNT MODEL NUMBER	Ounces	mm/H2O
LOW-20OZ-25	LOW-20OZMM-25RC	0-15	0-880
LOW-30OZ-25	LOW-30OZMM-25RC	0-30	0-1320
LOW-60OZ-25	LOW-60OZMM-25RC	0-60	0-2640



Pressure Ranges (Single Scale)

STANDARD BOTTOM MOUNT MODEL NUMBER	REAR CENTER MOUNT MODEL NUMBER	P.S.I.
LOW-03-25	LOW-03-25RC	0-3
LOW-05-25	LOW-05-25RC	0-5
LOW-10-25	LOW-10-25RC	0-10