



## Transmitters

### Model No. LZAT

#### Specifications

- Protected against reverse polarity, short circuit, and over voltage
- 1/4" NPT, 7/16-20 UNF (S.A.E.), 1/2" NPT connections
- Stainless steel case (316) and (316L) wetted parts
- 18 standard ranges available (0-10,000 P.S.I.)
- Accuracy .5% (B.F.S.L.) of span (Standard)\*
- Non Repeatability < 0.1 % of span
- Hysteresis < 0.16 % of span
- Supply voltage 10-30vdc (14-30 for 0-10vdc output signal)
- Operating temperature 32-180F (0-80 C)
- Response time < 4 MS

#### Options

- 4-20 ma, 0-10v, 0-5V
- Electrical connection DIN 175301-803
- Flying leads

#### How it works

LENZ LZAT pressure transmitters are now available using a flexible modular assembly systems. All components from the process connection, pressure range, electrical connection and cable length are modular. You can now select the range or connection that meets your needs.

Your selection will generate the Lenz model number. Order this model code and we build your pressure transducer.



AG, AK with Cable



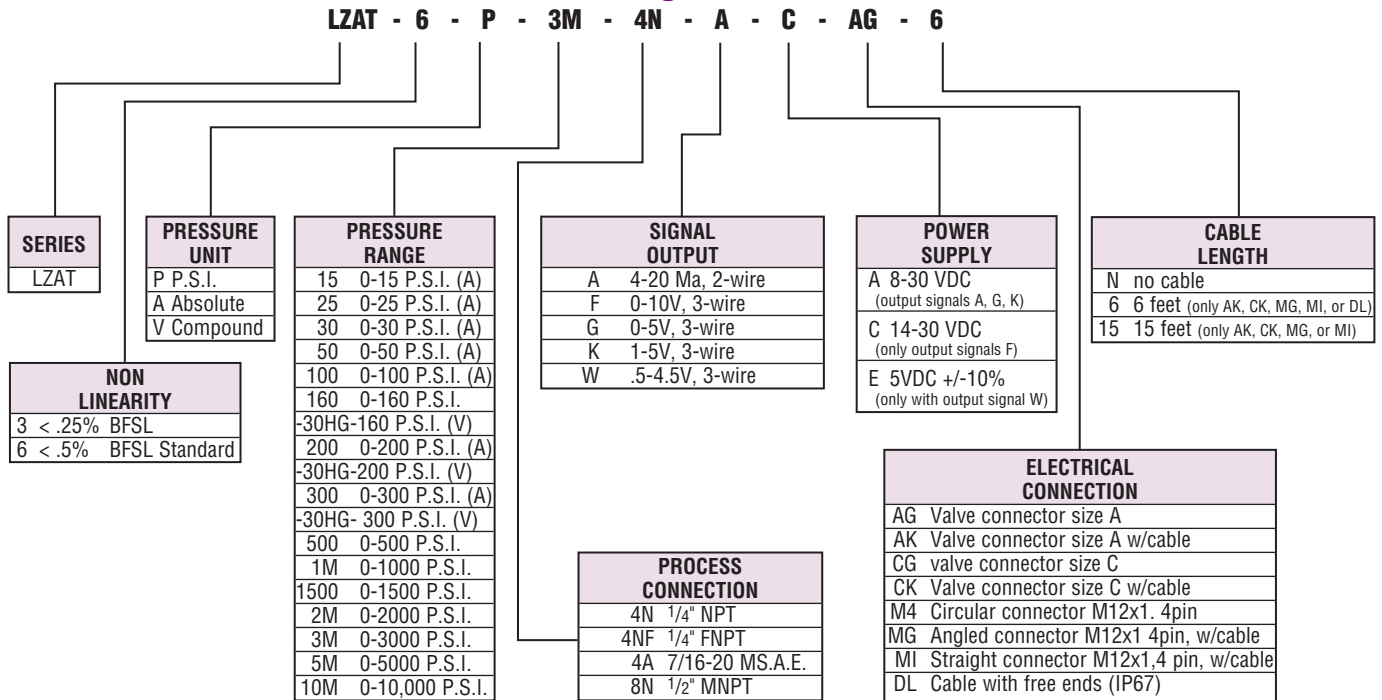
DL



CG, CK with Cable

## Ordering Code

LZAT - 6 - P - 3M - 4N - A - C - AG - 6



- 1) We recommend 18-22 AWG wire.
- 2) LZAT can't be used with chemical seal.

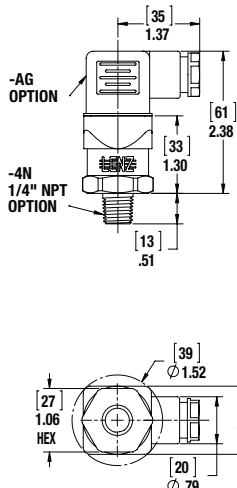
See Technical Bulletin TB.PG11.811, for further information at (Technical Data – www.lenzinc.com)



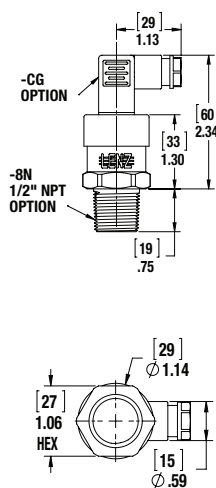
## Dimensions in inches (mm)

Ingress protection IP per IEC 60529. The ingress protection classes specified only apply while the pressure transmitter is connected with female connectors that provide the equivalent ingress protection.

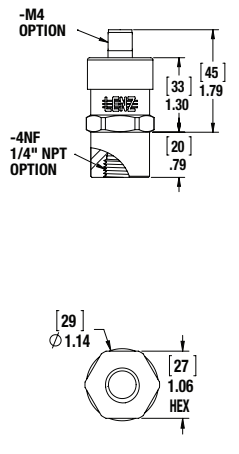
DIN 175301-803 A  
L-connector  
conductor outer diameter  
.24" to .32"  
IP 65



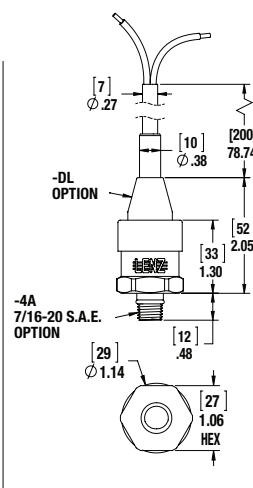
DIN 175301-803 C  
L-connector  
conductor outer diameter  
.18" to .24"  
IP 65



M 12x1, 4-pin  
IP 67



Flying leads,  
conductor cross section  
.013 in<sup>2</sup>,  
conductor outer diameter  
.26",  
PUR cable - unshielded,  
IP 67

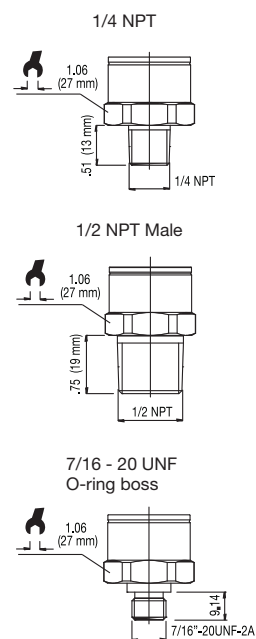


## Electrical Connections

	2-wire	3-wire
DIN 175301-803 A L-connector		
DIN 175301-803 C L-connector		
M 12x1, 4-pin without angle socket or female cable connectors		
Flying leads		

Specifications and dimensions given in this datasheet represent the state of engineering at the time of printing. Modifications may take place and materials specified may be replaced by others without prior notice.

## Pressure connections



See Technical Bulletin TB.PG19.811, for digital readout D1-15.  
For use with LZAT at (Technical Data – [www.lenzinc.com](http://www.lenzinc.com))