



Threaded Vent-Check Breather

Model NY-LVB Series

Specifications

- PA66 nylon cap
- Exhaust crack pressure range 3.5 to 4.4 PSI, (.24 to .30 BAR)
- Operating temperature -22°F to +212°F (-30°C to +100°C)
- Compatible with petroleum and mineral based fluids
- Stainless steel springs size 4, 6, 8
- Steel spring on size 12
- Buna seal 4, 6, 8 sizes
- Fiber seal size 12

Options Available

- 1/4", 3/8", 1/2", 3/4" NPT threads
- BSPP threads consult factory
- Anti-splash
- Dipstick

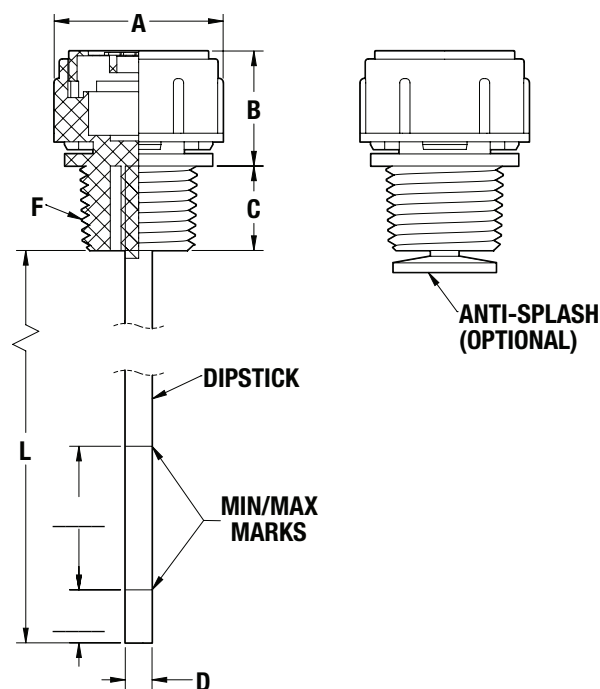


Dimensional Detail

Model No.		F	OR	L	A	B	C	D
NY-LVB-4	in.	1/4"	4 PSI	7.7"	1.2"	0.8"	0.5"	0.2"
	mm		0.3 Bar	195	30	21	12	4
NY-LVB-6	in.	3/8"	4 PSI	7.7"	1.2"	0.8"	0.5"	0.2"
	mm		0.3 Bar	195	30	21	12	4
NY-LVB-8	in.	1/2"	4 PSI	7.7"	1.2"	0.8"	0.6"	0.2"
	mm		0.3 Bar	195	30	21	14	4
NY-LVB-12	in.	3/4"	4 PSI	7.7"	1.8"	0.9"	0.55"	0.2"
	mm		0.3 Bar	195	47	22	14	5

ADD AS - As prefix for Anti-splash
ADD DIP Suffix for Dipstick

*Check element availability
on pages 1a, 5a, 7a



See dipstick reference chart page 73b

Ordering Code

NY-LVB - 6

Options		Series NY-LVB	Thread Size		Options	
	Omit			4	1/4" NPT	Omit
AS	Anti-splash		6	3/8" NPT	DIP	Specify Length
			8	1/2" NPT		
			12	3/4" NPT		



Dipstick reference chart

	Series	Markings	Type of Dipstick	Page	Lead Time
Quantity	NY, NY-LVB, NYF, LDP			17, 24, 30b	
1-24	Standard Length	No Markings	Cylindrical		2 Weeks
25-99	Cut to Length	No Markings	Cylindrical		2 Weeks
100-249	Cut to Length	Hash Markings	Cylindrical		4-6 Weeks
250+	Cut to Length	Hash Markings	Cylindrical		4-6 Weeks
250+	Cut to Length	Laser Markings	Blade		8 Weeks
Quantity	NYPF, NYPO, LDP	Markings	Type of Dipstick	34, 35b	
1-24	Standard Length	No Markings	Cylindrical		2 Weeks
25-99	Cut to Length	No Markings	Cylindrical		2 Weeks
100-249	Cut to Length	Hash Markings	Cylindrical		4-6 Weeks
250+	Cut to Length	Hash Markings	Cylindrical		4-6 Weeks
250+	Cut to Length	Laser Markings	Blade		8 Weeks
Quantity	NY-B, XLPO	Markings	Type of Dipstick	9, 34b	
1-24	Standard Length	No Markings	Blade		2 Weeks
25-99	Cut to Length	No Markings	Blade		2 Weeks
100-249	Cut to Length	Laser Markings	Blade		4-6 Weeks
250+	Cut to Length	Laser Markings	Blade		8 Weeks
Quantity	XL, 3 & 4, caps	Markings	Type of Dipstick	5, 6, 7b	
1-24	Standard Length	No Markings	Blade		2 Weeks
25-99	Cut to Length	No Markings	Blade		2 Weeks
100-249	Cut to Length	Stamp Markings	Blade		4-6 Weeks
250+	Cut to Length	Laser Markings	Blade		8 Weeks
Quantity	BF, LMB	Markings	Type of Dipstick	20, 22b	
1-24	Standard Length	No Markings	Blade		2 Weeks
25-99	Cut to Length	No Markings	Blade		4-6 Weeks
100-249	Cut to Length	Stamp Markings	Blade		8 Weeks
250+	Cut to Length	Laser Markings	Blade		8 Weeks
Quantity	ABFT, AFBB, AFBM	Markings	Type of Dipstick	23, 26b	
1-24	Standard Length	No Markings	Blade		4-6 Weeks
25-99	Cut to Length,	No Markings	Blade		4-6 Weeks
100-249	Cut to Length	Stamp Markings	Blade		8 Weeks
250+	Cut to Length	Laser Markings	Blade		8 Weeks
Quantity	NY-9-M52	Markings	Type of Dipstick	29b	
1-24	Standard Length	No Markings	Blade		4-6 Weeks
25-99	Cut to Length	No Markings	Blade		4-6 Weeks
100-249	Cut to Length	Stamp Markings	Blade		8 Weeks
250+	Cut to Length	Laser Markings	Blade		8 Weeks